

Features

- Multi-stage pump design.
- Suitable water temperature: 20C~+80C, viscosity of liquid should be lower than 5E.
- It's suitable for transferring small capacity but high head application.

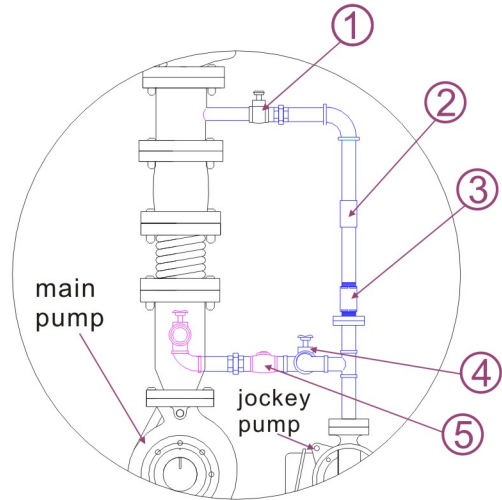
Main Function as Jockey Pump

- In order to avoid frequent running of main pump due to minor water leakage or small water volume required, the mounting of jockey pump is purposed to take care of the water leakage or small water volume in this regard, that is, jockey pump will be started/stopped when there is an occurrence of water leakage taken place to the pipeline while the main pump will not be started.
- The pressure setting of "ON" is based on the main pump's pressure setting with additional 0.5kg/cm². The pressure difference between ON and OFF pressure setting should be 1.0kg/cm~1.5kg/cm. OFF setting point must be 0.3kg/cm² lower than the main pump's pressure setting. The pressure adjustment is the same as either pressure switch or the one on the main pump.

Applications

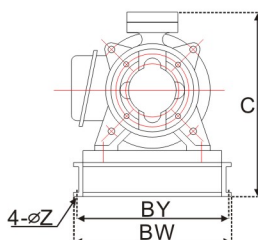
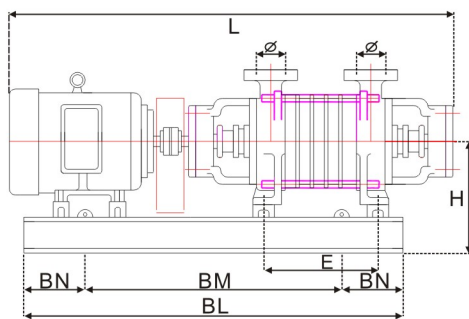
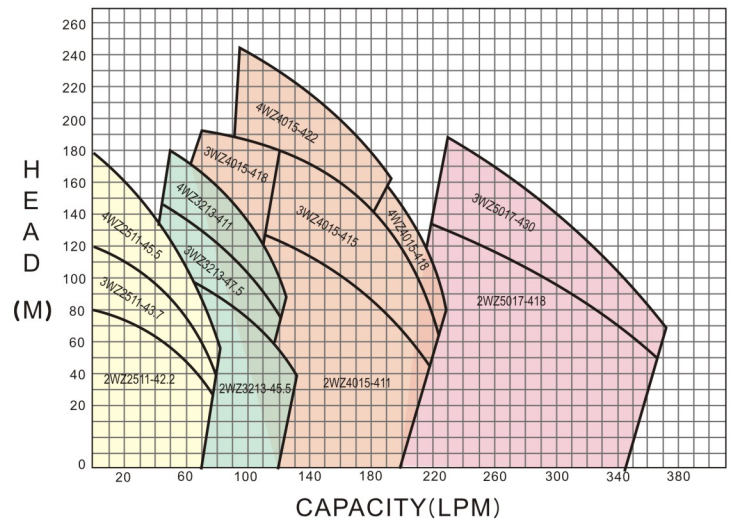
- Jockey pump for Fire-fighting system.
- Water supply for construction site, high building.
- Booster pump system.
- Water supply for boiler.

Installation as jockey pump use



- ① Gate valve ② Anti-vibration tube
- ③ Check valve ④ Gate valve
- ⑤ Check valve

Performance curves



Dimension

TYPE	(mm)	Stage	HP	PUMP (mm)				BASE (mm)					motor W.T (Kg)	pump W.T (Kg)	
				L	E	C	H	BL	BM	BN	BW	BY			øZ
2WZ2511-42.2	25	2	3	750	145	275	175	750	450	150	280	250	15	70	13
3WZ2511-43.7		3	5	800	183	275	175	800	500	150	310	280	15	90	17.5
4WZ2511-45.5		4	7.5	900	221	287	187	900	500	200	340	310	15	121	22
2WZ3213-45.5	32	2	7.5	835	154	317	207	800	400	200	340	310	15	133	19
3WZ3213-47.5		3	10	914	196	317	207	900	500	200	340	310	15	142	22
4WZ3213-411		4	15	1085	238	345	235	1060	660	200	390	360	15	193	25
2WZ4015-411	40	2	15	1070	202	365	235	1060	660	200	390	360	15	205	38
3WZ4015-415		3	20	1170	257	365	235	1150	750	200	390	360	15	243	45
3WZ4015-418		3	25	1200	257	385	255	1200	800	200	410	380	15	370	45
4WZ4015-418	40	4	25	1250	312	385	255	1250	860	200	410	380	15	380	50
4WZ4015-422		4	30	1255	312	410	280	1260	860	200	430	390	15	395	52
2WZ5017-418	50	2	25	1172	223	400	255	1150	750	200	410	380	15	378	48
3WZ5017-430		3	40	1280	285	425	280	1280	860	200	430	390	19	410	60